

Smart-Sight

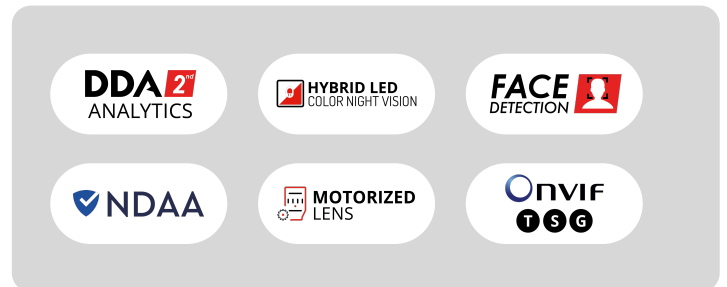
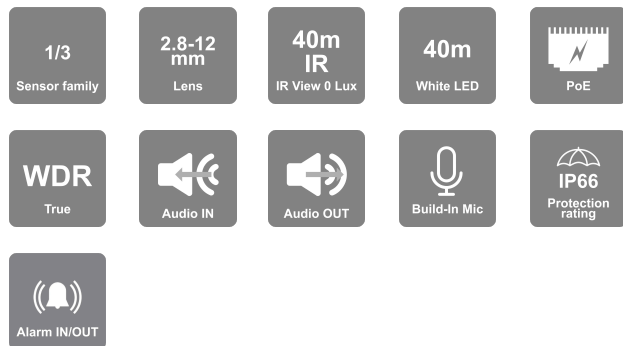
The series offers a range of AI Cameras for diverse surveillance needs. Every camera delivers superior performance and accuracy with advanced technology and purposeful design. Each component is chosen for seamless integration and optimal functionality. Whether it's fixed or motorized lenses, License Plate Recognition, or Thermal cameras, The Smart-Sight series is for you.



BMH-340ADN-MVF-V4

40m IR 4MP Active Deterrence Motorized Lens Large Bullet Camera With Built-in Check Point Protection and Dual System Technology

Active deterrence cameras are designed to deter unwanted visitors by activating visual and audio alerts. Equipped with a 2.8-12mm motorized lens, this 4MP Bullet camera is intended for medium-distance surveillance (up to 40m) in indoor and outdoor scenarios. This model complies with NDAA demands and ensures your device is cyber-protected round the clock with the integrated Check Point Quantum IoT Nano agent that provides an advanced threat prevention layer against the common attack vectors at runtime. The camera offers broad possibilities for Analytics, from Face Detection to the outstanding DDA Analytics (Detect, Distinguish, Alert) and the newly developed DDA2, which can perform object recognition, object counting, and investigate specifics such as age, color, gender, vehicle brand and much more. With various detection rules and triggers, the BMH-340ADN-MVF camera is here to end false alarms.



MAIN FEATURES

- BMH-340ADN-MVF-V4
- Sensor: 1/3" CMOS (16:9)
- Resolution: 2592×1520 25/30FPS (4MP)
- Lens: 2.8-12mm MVF with Auto Focus (97-32°) ICR + 24/7 Full-Color Day Mode
- Illumination: 40m (1 High-Power IR LED) + 40m (1 High-Power White LEDs) + Red/Blue Strobe Lights
- Compression: H.265+ / H.264+ / H.265 / H.264 / MJPEG
- Quantum IoT Nano agent by Check Point™
- General Analytics: Camera Tampering
- AI (Object Recognition): DDA Sterile Area, DDA Line Crossing, DDA Object Counting (Line), DDA Object Counting (Area)
- AI (Face Detection): 10 Faces per frame
- AI: Heatmap
- DDA2: Advanced Object Classification
- True WDR (120dB), BLC, HLC, ROI
- SD Card: Event/Schedule Record (Up to 256Gb)
- Alarm in + Alarm Out
- Built-in Microphone + Audio input + Audio output
- ONVIF: Profile T/S/G
- Water Proof: IP66
- Weight: ~800g
- Power: DC12V/~800mA / PoE/~11.5W



SPECIFICATIONS

3rd Party Cyber Protection	
General	Quantum IoT Nano agent by Check Point™
Protection Methods	Shell injection protection, File Monitor, Import-Table Protection, Dynamic-Memory Protection
NDAA Compliant	
NDAA Compliant	Yes
Video	
Image Sensor	1/3" CMOS (16:9)
Effective Pixels	2592×1520
Electronic Shutter	1/3s ~ 1/100000s
Day & Night	ICR + 24/7 Full-Color Day Mode
Min. Illumination	0.02lux (@F1.4, AGC on) 0lux with IR on
Audio	
Audio compression	G.711A/G.711U
Communication	Two-way Audio
Image	
Image Settings	AWB, AGC Adjustable, Exposure Mode (Auto) Sharpness, Saturation, Brightness & Contrast Adjustable
Image Enhancement	True WDR (120dB), BLC, HLC, ROI
Noise Reduction	3D-DNR
Image Orientation	Mirror/Flip, Corridor Mode
Privacy Zone	Yes
Events and Analytics	
Analytics	General Analytics: Camera Tampering AI (Object Recognition): DDA Sterile Area, DDA Line Crossing, DDA Object Counting (Line), DDA Object Counting (Area) AI (Face Detection): 10 Faces per frame AI: Heatmap DDA2: Advanced Object Classification
Motion Detection	Yes
Compression	

Resolution	4MP / 2K / 3MP / 2MP / 1MP / D1 / QVGA / CIF
Frame Rate	1-25/30FPS
Video Compression	H.265+/ H.264+ / H.265 / H.264 / MJPEG**
Multi-Stream	Master Stream: 4MP(2592x1520) / 2K (2560x1440) / 3MP / 2MP / 1MP Substream: 1MP/QVGA/D1/CIF Third Stream: QVGA/D1/CIF (1~30fps)
Bit Rate	128Kbps ~ 7Mbps@H.265 / 256Kbps ~ 8Mbps@H.264
Encode Mode	VBR/CBR
Image Quality	Five levels under VBR; Free adjustment under CBR

Lens	
Lens (Field of View)	2.8-12mm MVF with Auto Focus (97-32°)
Iris	DC Iris
Lens Mount	Ø14 Mount
Detect	2.8~12mm(W): 60.09m(197.14ft) - 2.8~12mm(T): 175.72m(576.50ft)
Recognize	2.8~12mm(W): 12.01m(39.40ft) - 2.8~12mm(T): 35.14m(115.28ft)
Identify	2.8~12mm(W): 6.00m(19.68ft) - 2.8~12mm(T): 17.57m(57.64ft)

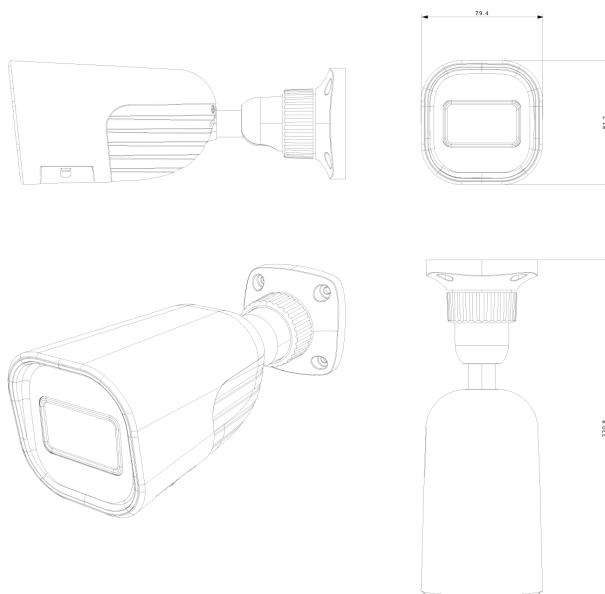
Network	
User Access	Supports simultaneous monitoring of up to 10 users with multi-stream real-time transmission
Network Protocol	IPv4, IPv6, TCP, UDP, DHCP, NTP, DDNS, 802.1X, RTSP, RTMP Multicast, UPnP, Email, FTP, FTPS, SFTP, HTTPS, QoS, HTTP POST, Auto Report, P2P
Remote Monitoring	IE Browsing (Plug-In required), Chrome/Edge/Safari/Firefox plug-in free browsing, Ossia VMS Software, Provision Cam2 Mobile App
Ethernet	100Mbps
ONVIF	Profile T/S/G

Connectivity	
Network	RJ45 (+PoE)
Audio Connectivity	Built-in Microphone + Audio input + Audio output

Alarm	Alarm in + Alarm Out
SD Card	Event/Schedule based Main/Substream recording (Up to 256Gb)
Wiegand	No
Power	DC Socket
Analog Video Output	No

Housing	
PoE	Yes
Illumination	40m (1 High-Power IR LED) 40m (1 High-Power White LEDs) Red/Blue Strobe Lights
Power Supply	DC12V/~800mA / PoE/~11.5W
Protection Rate	Water Proof: IP66
Work Environment	-30°C~60°C, 10%~90% Humidity
Bracket	3-Axis Bracket
Dimensions	220.8x79.4x81.2mm
Weight (gross)	~800g
Hard Reset Button	Yes

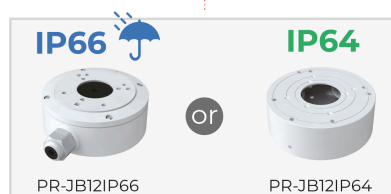
DIMENSIONS



ACCESSORIES



+



+

