

## NDA S-SIGHT

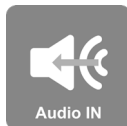
Provision-ISR S-SIGHT series provides you with all you need for a simple installation. S-Sight cameras guarantee superior image quality, improved night performance and make an outstanding value-for-money solution.



# DAI-350IPSN-28-V4

## 20M IR 5MP DDA ANALYTICS FIXED LENS DOME ANTI-VANDAL CAMERA WITH BUILT-IN CHECK POINT PROTECTION AND DUAL SYSTEM TECHNOLOGY

Equipped with a 2.8mm fixed lens, this 5MP anti-vandal camera is designed for short-distance surveillance (up to 20m) in indoor and outdoor scenarios. Intended for high-security area monitoring (such as banks, hotels, or chain stores) and to capture crime in the act, the DAI-350IPSN-28-V4 features vandal-proof IK10 protection, which makes it extremely hard to sabotage. Fitted with the new "Dual System" technology, the camera can deal with internal anomalies independently, making it more redundant to software-based issues. The camera offers outstanding DDA Analytics (Detect, Distinguish, Alert), which can perform human and vehicle recognition. With various detection rules and triggers, the DAI-350IPSN-28-V4 is here to end false alarms and, with the Check Point protection, ensures that your devices are cyber-protected round the clock.



### MAIN FEATURES

- 5MP
- S-SIGHT
- 2880x1620 Resolution
- Wide field of view 108°
- 3D-DNR
- IP67, IK10
- DDA Analytics
- Audio in + Built-in microphone

### ANALYTICS

- General Analytics: Camera Tampering
- AI (Object Recognition): DDA Sterile Area, DDA Line Crossing



## SPECIFICATIONS

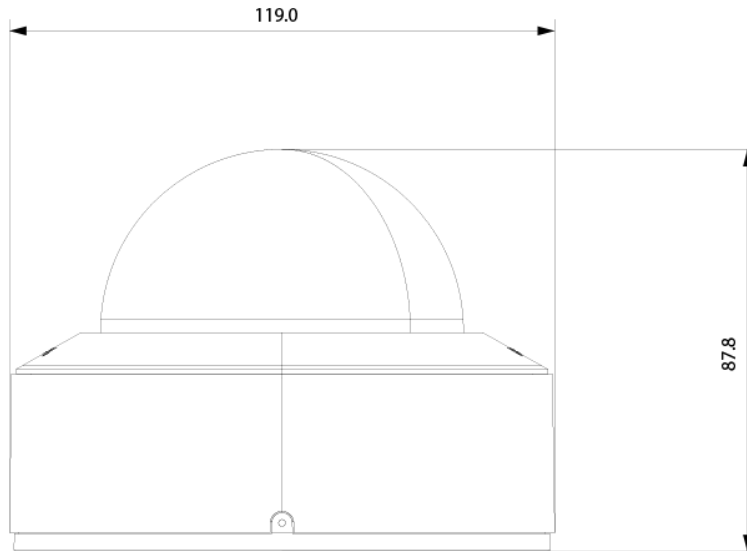
Image Sensor	1/2.7" CMOS (16:9)
Effective Pixels	2880x1620
Electronic Shutter	1/2s ~ 1/100000s
Frame Rate	1-25/30FPS
Day & Night	ICR
Min. Illumination	Day: 0.1lux / Night: 0.007lux (@F1.6, AGC on) 0lux with IR on
Audio compression	G.711A/G.711U
Communication	One-Way Audio
Image Settings	AWB, AGC Adjustable, Exposure Mode (Auto) Sharpness, Saturation, Brightness & Contrast Adjustable
Image Enhancement	True WDR (120dB), BLC, HLC, ROI
Noise Reduction	3D-DNR
Image Orientation	Mirror/Flip
Privacy Zone	Yes
Motion Detection	Yes
Analytics	General Analytics: Camera Tampering AI (Object Recognition): DDA Sterile Area, DDA Line Crossing
Video Compression	H.265+/H.264+/H.265/H.264/MJPEG*
Resolution	5MP (2880x1620) / 4MP (2560x1440) / 3MP (2304x1296) / 2MP (1920x1080) / 1MP (1280x720) / D1 (704x576) / QVGA (480x240) / CIF (352x288)
Multi-Stream	Master Stream: 5MP (2880x1620) (1~20fps) / 4MP (2560x1440) / 3MP (2304x1296) / 2MP (1920x1080) / 1MP (1280x720) (1~30fps) Substream: 1MP/QVGA/D1/CIF Third Stream: D1/CIF (1~30fps)
Bit rate	64Kbps ~ 4Mbps@H.265 / 64Kbps ~ 6Mbps@H.264
Encode Mode	VBR/CBR
Image Quality	Five levels under VBR; Free adjustment under CBR
IR Distance	20m (1 High-Power IR LED)
Lens (Field of View)	2.8mm (108°)

\*Substream only

## SPECIFICATIONS

Iris	Fixed Iris
Lens Mount	M12 Mount
Protection Rate	Water Proof: IP67 Vandal Proof: IK10
Bracket	3-Axis Bracket
Dimensions	Ø119x87.8mm
Weight (gross)	~620g
Network	RJ45 (+PoE)
Power	DC Socket
Analog Video Output	No
Audio Connectivity	Built-in Microphone + Audio input
SD Card	Event/Schedule based Main/Substream recording (Up to 256GB)
Hard Reset Button	Yes
Alarm	No
Remote Monitoring	IE Browsing, Ossia VMS Software, Provision Cam2 Mobile App
User Access	Supports simultaneous monitoring of up to 10 users with multi-stream real-time transmission
Network Protocol	IPv4, IPv6, TCP, UDP, DHCP, NTP, DDNS, 802.1X, RTSP, Multicast, UPnP, Email, FTP, HTTPS, QoS, P2P
ONVIF	Yes
Ethernet	100Mbps
PoE	Yes
Power Supply	DC12V/~350mA / PoE/~5W
Work Environment	-30°C~60°C, 10%~90% Humidity
Junction Box	PR-JB12IP66 - PR-ICB21 - PR-WB-A

## DIMENSIONS



## ACCESSORIES

### For DAI-Fixed Lens

